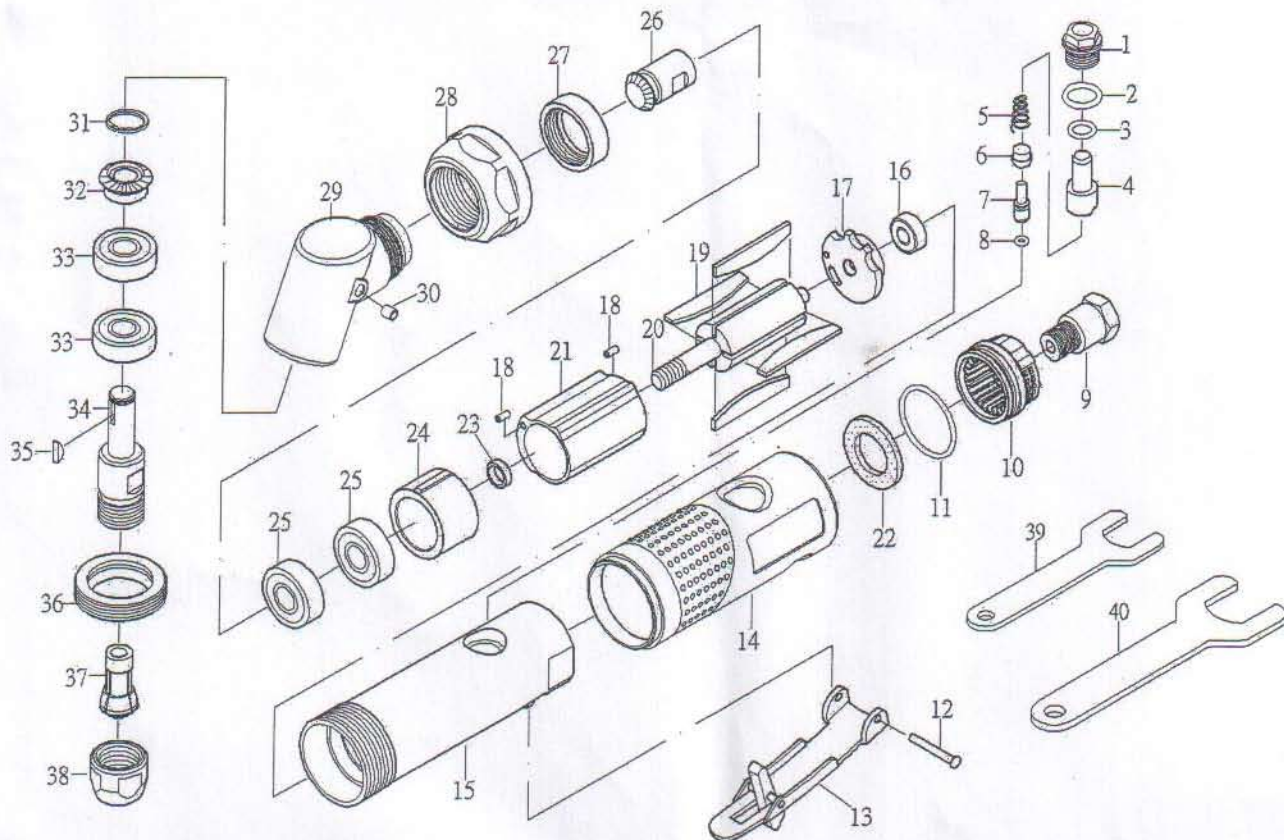


115 AIR ANGLE DIE GRINDER



NO.	PART NO.	DESCRIPTION	Q'TY	NO.	PART NO.	DESCRIPTION	Q'TY
1	351-0184	SCREW	1	21	351-0204	CYLINDER	1
2	351-0185	O-RNG (P12)	1	22	351-0205	CONE MUFFLER	1
3	351-0186	O-RNG (P8)	2	23	351-0206	BEARING SPACER	1
4	351-0187	AIR REGULATOR	1	24	351-0207	FRONT PLATE	1
5	351-0188	SPRING	1	25	351-0208	BEARING (608ZZ)	1
6	351-0189	VALVE STEM BUSHING	1	26	351-0287	BEVEL GEAR (18T)	1
7	351-0190	VALVE STEM	1	27	351-0218	NUT	1
8	351-0191	O-RNG (3.5*1.4)	1	28	351-0219	CLAMP NUT	1
9	351-0192	AIR INLET	1	29	351-0288	ANGLE HOUSING	1
10	351-0193	EXHAUST SLEEVE	1	30	351-0221	OIL CUP	1
11	351-0194	O-RNG (26.7*1.78)	1	31	351-0225	SNAP RING	1
12	351-0195	SPRING PIN	1	32	351-0289	BEVEL GEAR (20T)	1
13	351-0196	LEVER	1	33	351-0290	BEARING (609ZZ)	1
14	351-0197	PROTECTING RUBBER	1	34	351-0293	SHAFT	1
15	351-0198	HOUSING	1	35	351-0227	KEY	1
16	351-0199	BEARING (696ZZ)	1	36	351-0294	CLAMP NUT	1
17	351-0200	REAR PLATE	1	37	351-0212	1/4" COLLET	1
18	351-0201	PIN(2.5*6L)	2	38	351-0213	COLLET NUT	1
19	351-0202	ROTOR BLADE	4	39	351-0214	STOP SPANNER (14mm)	1
20	351-0203	ROTOR	1	40	351-0215	STOP SPANNER (19mm)	1