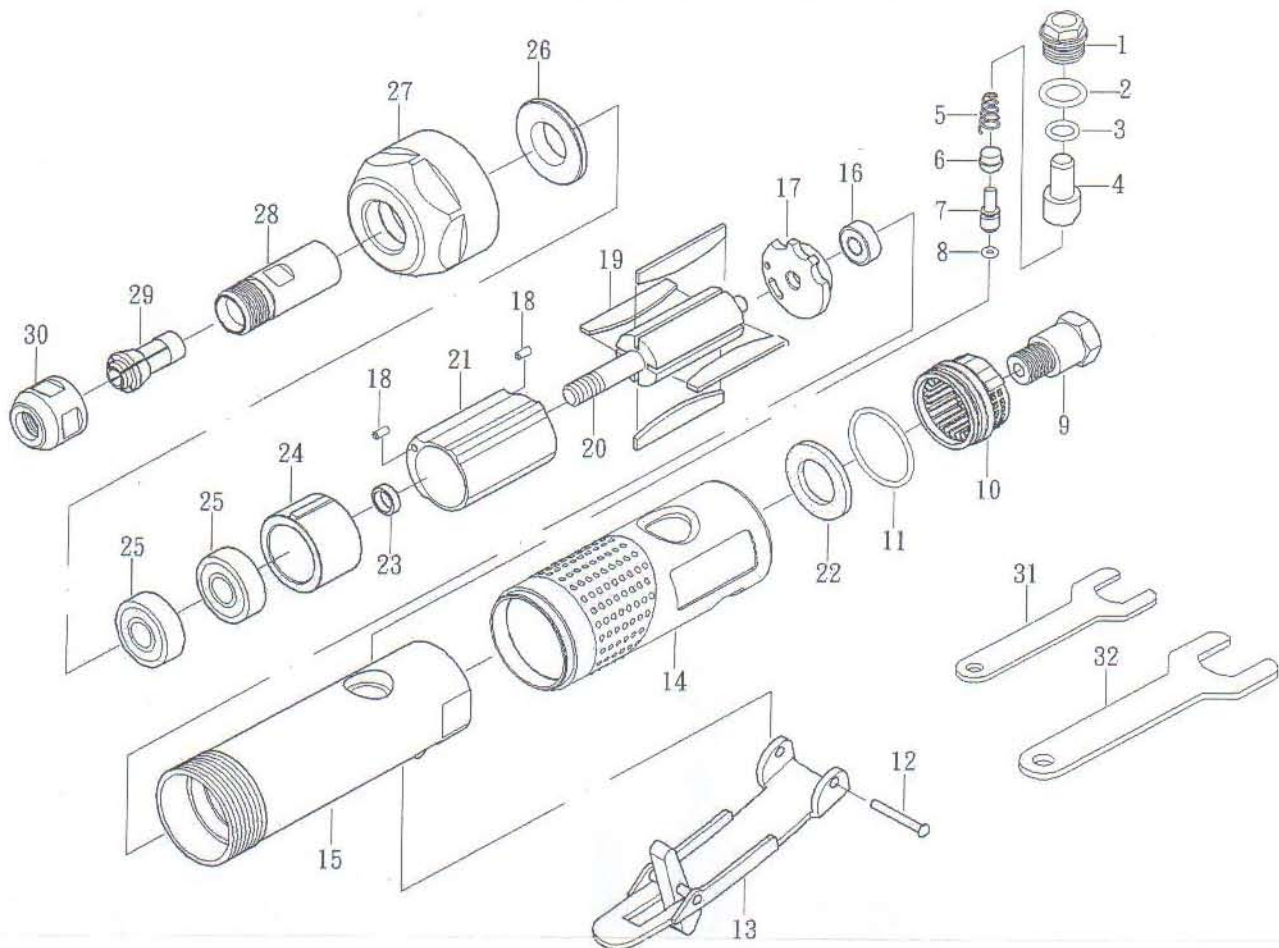


1/4" AIR DIE GRINDER



NO	PART NO	DESCRIPTION	Q'TY	NO	PART NO	DESCRIPTION	Q'TY
01	351-0184	SCREW	1	17	351-0200	REAR PLATE	1
02	351-0185	O-RING	1	18	351-0201	PIN	2
03	351-0186	O-RING	2	19	351-0202	ROTOR BLADE	4
04	351-0187	AIR REGULATOR	1	20	351-0203	ROTOR	1
05	351-0188	SPRING	1	21	351-0204	CYLINDER	1
06	351-0189	VALVE STEM BUSHING	1	22	351-0205	CONE MUFFLER	1
07	351-0190	VALVE STEM	1	23	351-0206	BEARING SPACER	1
08	351-0191	O-RING	1	24	351-0207	FRONT PLATE	1
09	351-0192	AIR INLET	1	25	351-0208	BALL BEARING	2
10	351-0612	EXHAUST SLEEVE	1	26	351-0209	WASHER	1
11	351-0194	O-RING(26.7*1.78)	1	27	351-0210	CLAMP NUT	1
12	351-0195	SPRING PIN	1	28	351-0211	SPINDLE	1
13	351-0196	LEVER	1	29	351-0212	COLLET	1
14	351-0197	PROTECTING RUBBER	1	30	351-0213	COLLET NUT	1
15	351-0198	HOUSING	1	31	351-0214	STOP SPANNER 14M/M	1
16	351-0199	BEARING(696ZZ)	1	32	351-0215	STOP SPANNER 19M/M	1