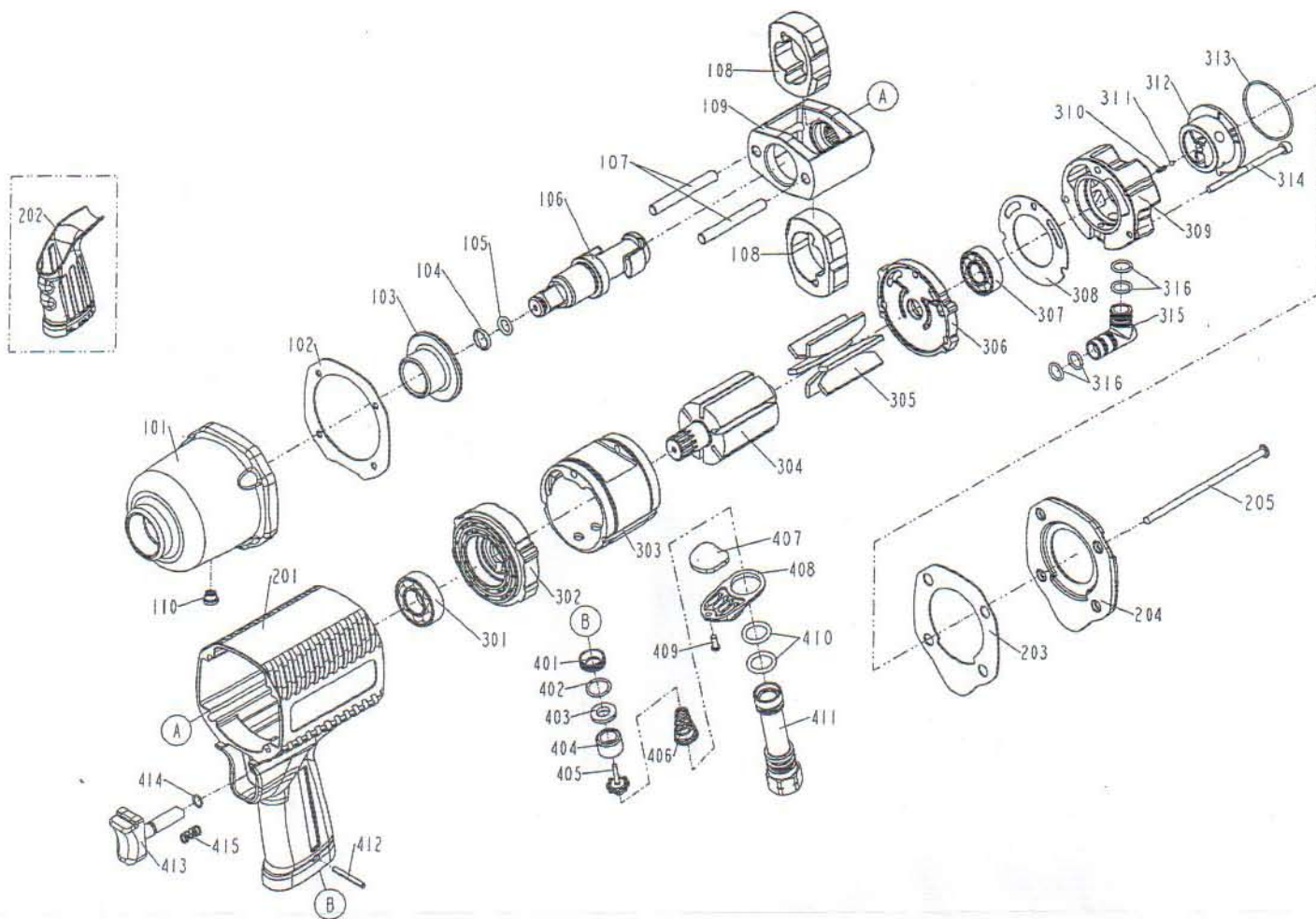


# DIAGRAM OF IW-3C11



ITEM NO.	PART NO.	DESCRIPTION	ITEM NO.	PART NO.	DESCRIPTION	ITEM NO.	PART NO.	DESCRIPTION
101	12318-0074709-1	HAMMER CASE	403	12319-0070001-2	SEAL			
102	1230S-0074704-1	HAMMER CASE GASKET	404	1230K-0070007-1	BUSHING			
103	1230K-0070004-1	HAMMER CASE BUSHING	405	12226-0074701-1	TIP VALVE			
104	2040306-00010-0	SOCKET RETAINER	406	12308-0070002-1	SPRING			
105	2041100-01070-0	O - RING	407	12351-0070002-1	MUFFLER			
106	1230D-0070003-1	ANVIL	408	12346-0074703-1	EXHAUST DEFLECTOR			
107	1230B-0070001-1	HAMMER FRAME PIN	409	2040107-01020-0	TAP BOLT			
108	1230C-0070001-1	HAMMER	410	2041109-02130-0	O - RING			
109	1230E-0100001-1	HAMMER FRAME	411	12309-0074705-1	AIR INLET			
110	2042400-00020-0	HAMMER CASE GREASE FITTING	412	2040400-05130-0	SPRING PIN			
201	12302-0072410-1	HOUSING	413	12310-0074701-3	TRIGGER			
202	1230N-0074705-1	HANDLE GRIP	414	2041109-01060-0	O - RING			
203	1230S-0074705-1	REAR COVER GASKET	415	11337-0394702-1	SAFETY SPRING			
204	12394-0074704-1	REAR COVER						
205	2040114-02021-2	HALF ROUND HD. STAR HEAD BOLT						
301	2041200-00054-0	BEARING						
302	12312-0070001-1	FRONT END PLATE						
303	12315-0070002-1	CYLINDER						
304	12313-0070002-1	ROTOR						
305	12314-0100001-1	BLADES						
306	12316-0070002-1	REAR END PLATE						
307	2041200-00083-0	BEARING						
308	1230S-0070003-1	REAR END PLATE GASKET						
309	12239-0070001-1	REGULATOR BASE						
310	1230J-0069002-1	SPRING						
311	2040800-05020-0	BALL						
312	1230L-0071201-1	REVERSE VALVE						
313	2041109-04050-0	O - RING						
314	2040101-02051-2	HEX.SOC.HD.BOLT						
315	12383-0070001-1	INLET						
316	2041102-01060-0	O - RING						
401	1230K-0070001-1	INSERT BUSHING						
402	2041102-02020-0	O - RING						