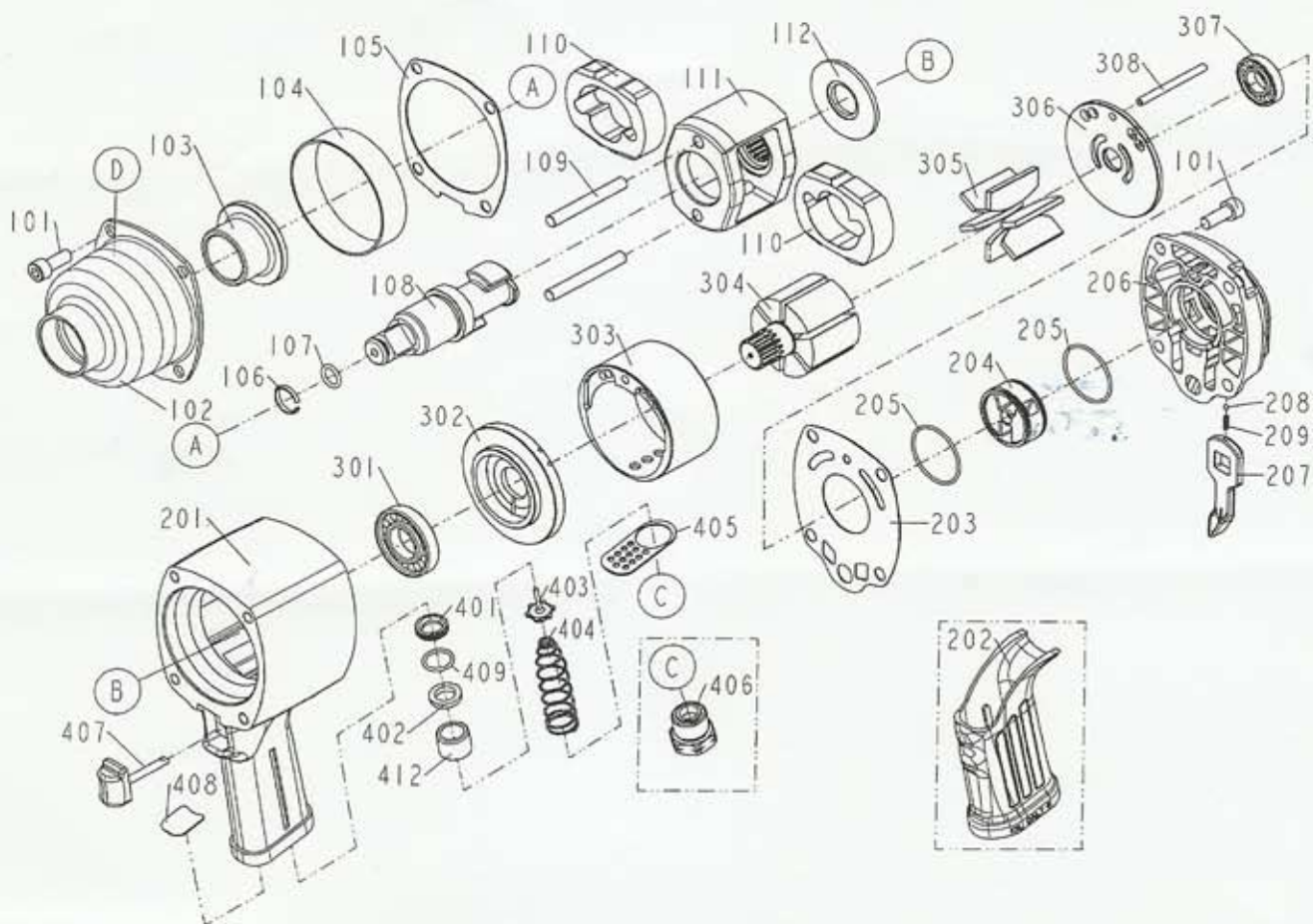


# DIAGRAM OF IW-4A149



ITEM NO.	PART NO.	DESCRIPTION	ITEM NO.	PART NO.	DESCRIPTION	ITEM NO.	PART NO.	DESCRIPTION
101	2040100-05030-2	BOLT ASSY	405	12346-0084701-1	EXHAUST DEFLECTOR			
102	12318-0084701-1	HAMMER CASE	406	12309-0084702-1	AIR INLET			
103	1230K-0080002-1	HAMMER CASE BUSHING	407	12225-0084701-2	TRIGGER UNIT			
104	12378-0084701-1	COLLAR	409	2041105-02070-0	O - RING			
105	1230S-0080002-1	HAMMER CASE GASKET	412	1230K-0080006-2	BUSHING			
106	2040306-00020-0	SOCKET RETAINER						
107	2041109-02110-0	O - RING						
108	1230D-0080001-1	ANVIL						
109	1230B-0080001-2	HAMMER FRAME PIN						
110	1230C-0080001-2	HAMMER						
111	1230E-0080001-1	HAMMER FRAME						
112	12340-0084702-1	WASHER						
201	12302-0086604-2	HOUSING						
202	1230N-0084701-1	HANDLE GRP						
203	1230S-0080001-1	HOUSING GASKET						
204	1230L-0080001-1	REVERSE VALVE						
205	2041104-04090-0	O - RING						
206	12223-0084701-1	REAR COVER UNIT						
207	1230M-0084701-1	LEVER						
208	2040800-01010-0	STEEL BALL						
209	1230J-0080001-1	SPRING						
301	2041200-00150-0	BEARING						
302	12312-0080001-2	FRONT BEARING PLATE						
303	12315-0080001-1	CYLINDER						
304	12313-0080001-1	ROTOR						
305	12314-0080001-1	BLADES						
306	12316-0080002-1	REAR END PLATE						
307	2041200-00160-0	BEARING						
308	1230B-0080201-1	PIN						
401	1230K-0080001-1	INSERT BUSHING						
402	12250-0164701-1	SEAL UNIT						
403	12226-0084701-1	TIP VALVE						
404	12308-0080008-1	SPRING						