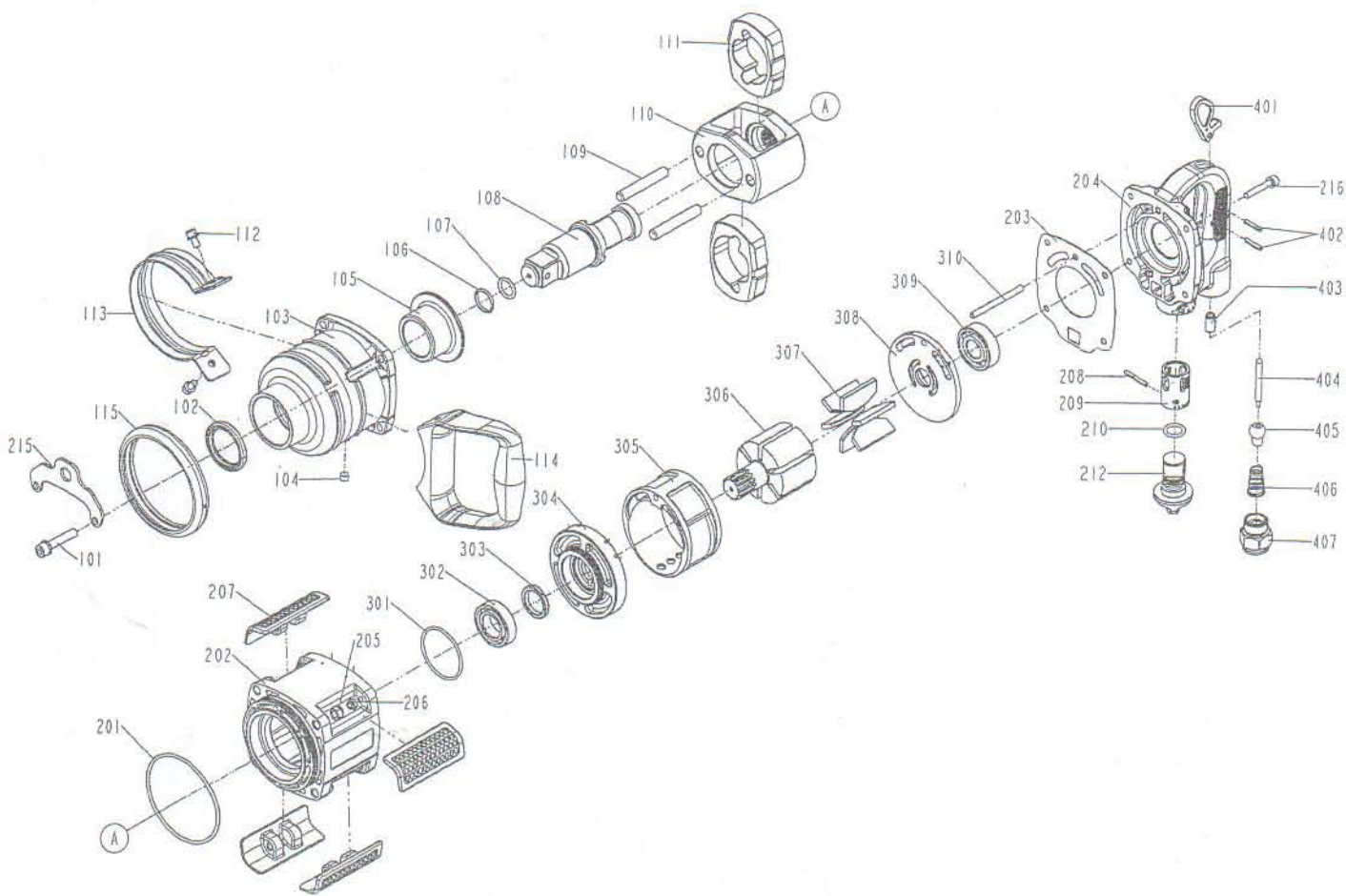


# DIAGRAM OF IW-5M2



ITEM NO.	PART NO.	DESCRIPTION	ITEM NO.	PART NO.	DESCRIPTION	ITEM NO.	PART NO.	DESCRIPTION
101	2040100-05050-0	BOLT ASSY	306	12313-0090001-1	ROTOR			
102	2042300-01030-0	OIL SEAL	307	12314-0090001-1	BLADES			
103	12318-0094702-1	HAMMER CASE	308	12316-0090001-1	REAR END PLATE			
104	2040104-05030-1	HEX.SOC.HD.SCREW	309	2041200-00190-0	BEARING			
105	1230K-0090001-1	HAMMER CASE BUSHING	310	1230B-0090002-1	PIN			
106	2040306-00040-0	SOCKET RETAINER	401	12310-0094701-1	TRIGGER			
107	2041104-02010-0	O - RING	402	2040400-07110-0	SPRING PIN			
108	1230D-0090003-1	ANVIL	403	1230K-0090002-1	BUSHING			
109	1230B-0090001-1	HAMMER FRAME PIN	404	1230B-0090003-1	PIN			
110	1230E-0090001-1	HAMMER FRAME	405	1231Q-0090001-1	SEAL PALL			
111	1230C-0090001-1	HAMMER	406	12308-0090001-1	SPRING			
112	2040100-04100-0	BOLT ASSY	407	12309-0094701-1	AIR INLET			
113	12245-0094701-1	FIXED RING						
114	1231N-0094706-1	HANDLE						
115	1231P-0094701-1	PROTECTOR-MAHHER CASE						
201	2041101-09010-0	O - RING						
202	12302-0096602-1	HOUSING						
203	1230S-0090001-1	HOUSING GASKET						
204	12394-0094704-1	RAER COVER						
205	2040500-05030-0	LOCK NUT						
206	2040500-04020-0	LOCK NUT						
207	1231P-0094703-1	PROTECTOR-HOUSING						
208	2040400-07230-0	SPRING PIN						
209	1230K-0090004-1	BUSHING VALVE						
210	2041106-02010-0	O - RING						
212	12246-009B001-1	REVERSEVALVE SET						
215	12381-0094701-1	BRACKET						
216	2040100-04110-0	BOLT ASSY						
301	2041104-06020-0	O - RING						
302	2041200-00230-0	BEARING						
303	2042300-04050-0	OIL SEAL						
304	12312-0090001-1	MAGAZINE						
305	12315-0090001-1	CYLINDER						