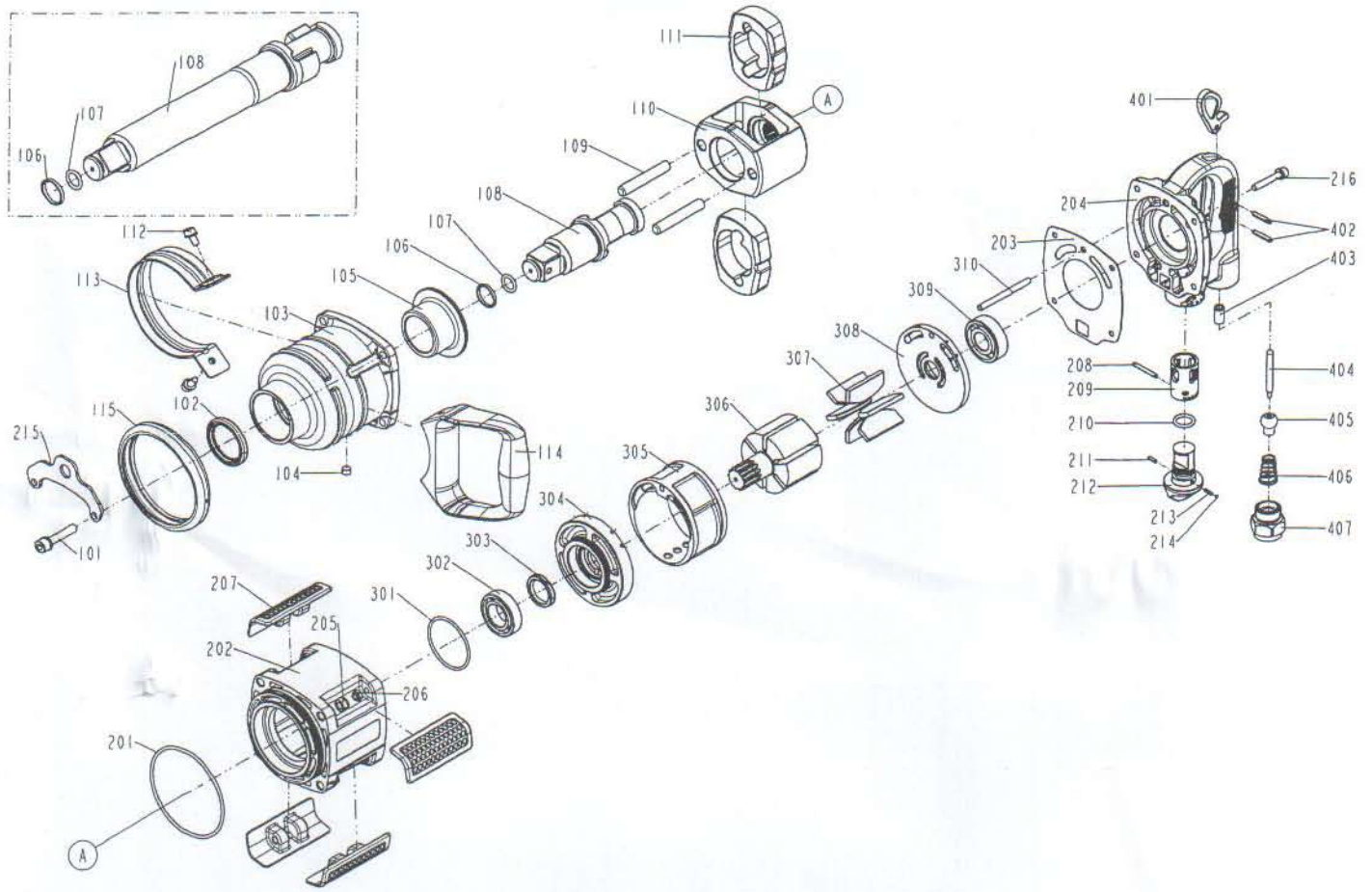


# DIAGRAM OF IW-5M8



ITEM NO.	PART NO.	DESCRIPTION	ITEM NO.	PART NO.	DESCRIPTION	ITEM NO.	PART NO.	DESCRIPTION
101	2040100-05050-0	BOLT ASSY	303	2042300-04050-0	OIL SEAL			
102	2042300-01030-0	OIL SEAL	304	12312-0090001-1	MAGAZINE			
103	12318-0094702-1	HAMMER CASE	305	12315-0090001-1	CYLINDER			
104	2040104-05030-0	HEX.SOC.HD.SCREW	306	12313-0090001-1	ROTOR			
105	1230K-0090001-1	HAMMER CASE BUSHING	307	12314-0090001-1	BLADES			
106	2040306-00040-0	SOCKET RETAINER	308	12316-0090001-1	REAR END PLATE			
107	2041104-02010-0	O - RING	309	2041200-00190-0	BEARING			
108	1230D-0090005-1	ANVIL	310	1230B-0090002-1	PIN			
109	1230B-0090001-1	HAMMER FRAME PIN	401	12310-0094701-1	TRIGGER			
110	1230E-0090001-1	HAMMER FRAME	402	2040400-07110-0	SPRING PIN			
111	1230C-0090001-1	HAMMER	403	1230K-0090002-1	BUSHING			
112	2040100-04100-0	BOLT ASSY	404	1230B-0090003-1	PIN			
113	12245-0094701-1	FIXED RING	405	1231Q-0090001-1	SEAL PALL			
114	1231N-0094706-1	HANDLE	406	12308-0090001-1	SPRING			
115	1231P-0094701-1	PROTECTOR-MAHHER CASE	407	12309-0094701-1	AIR INLET			
201	12302-0099701-1	HOUSING						
201	2041101-09010-0	O - RING						
203	1230S-0090001-1	HOUSING GASKET						
204	12394-0094704-1	RAER COVER						
205	2040500-05030-0	LOCK NUT						
206	2040500-04020-0	LOCK NUT						
207	1231P-0094703-1	PROTECTOR-HOUSING						
208	2040400-07230-0	SPRING PIN						
209	1230K-0090004-1	BUSHING VALVE						
210	2041106-02010-0	O - RING						
211	2040400-05050-0	SPRING PIN						
212	1230L-009B001-1	REVERSE VALVE						
213	1230J-0080001-1	SPRING						
214	2040800-01010-0	STEEL BALL						
215	12381-0094701-1	BRACKET						
216	2040100-04110-0	BOLT ASSY						
301	2041104-06020-0	O - RING						
302	2041200-00230-0	BEARING						